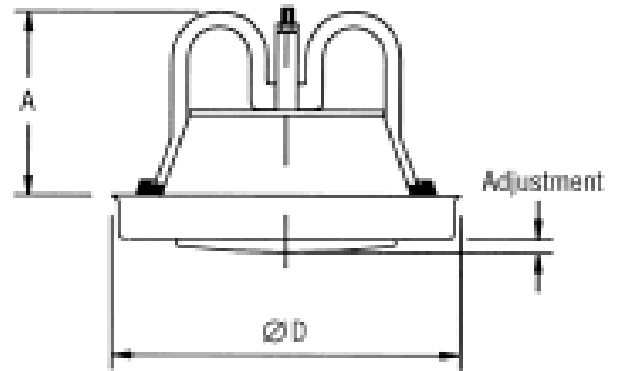


FIRE RATED EXTRACT VALVES FOR MVHR



Lindab KSO-P

Model KSO-P is a combination fire damper and air valve for exhaust air ventilation systems.

The damper blade will close when the temperature in the vicinity of the valve reaches the fusible link rating - standard temperature 70°C. (Alternative release temperatures of 50°C and 100°C available to special order).

Adjustment of the airflow is simple, the inner cone being rotated to the required setting and locked in position with a single nut.

Each air valve is supplied complete with a mounting ring from which it can be simply removed for cleaning without affecting the setting of the valve.