

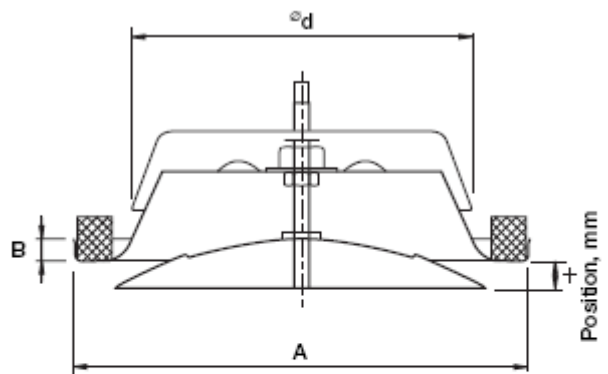
CEILING VENTILATION GRILLES



KU Extract Valve



KI Supply Valve



$\varnothing d$ nom. mm	A mm	B mm	Weight kg
100	137	12	0.2
125	164	12	0.3
160	212	12	0.4
200	248	12	0.6



KM Fixing Collar

Flexible ducting is connected to the fixing collar which is then offered up to a pre drilled hole in the ceiling plaster. The collar is held in place by twisting it through a few degrees engaging the pre-cut sections in the flange with the plasterboard.

The supply or extract valve is then screwed into the collar.